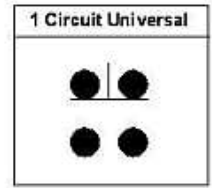
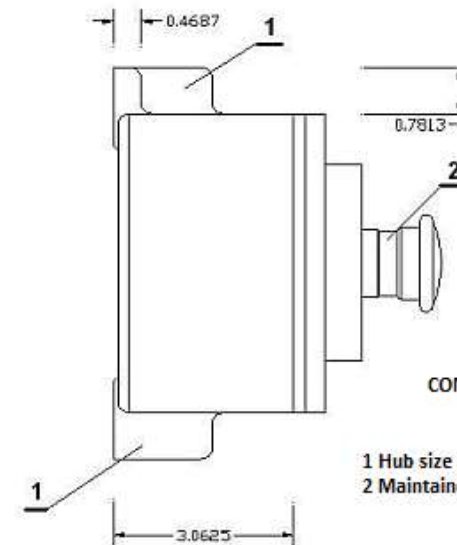
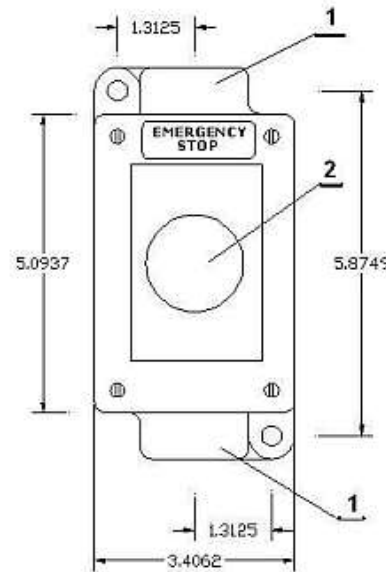


HL800MTN1P120V

Pilla Electrical Products, Inc.

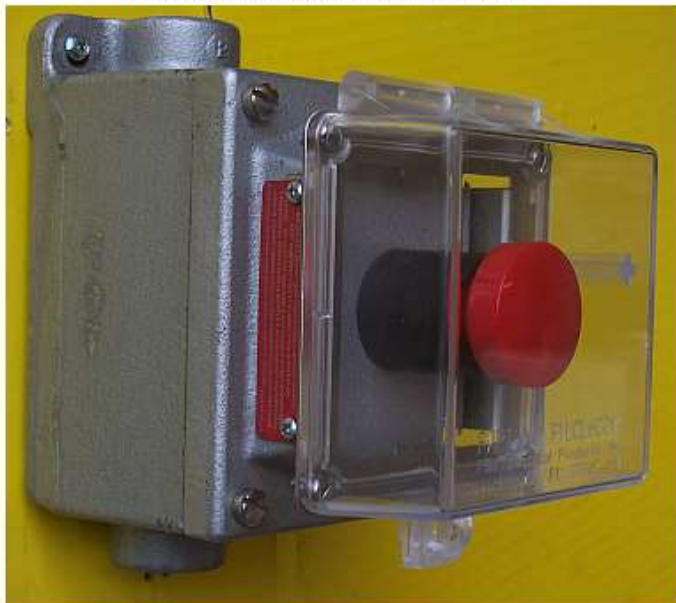


HL800MTN1P120V-GAS SHUT-OFF



CONTACTS RATED 10AMP @ 120V, 600 max.

1 Hub size 3/4" top and bottom
2 Maintained or Momentary red Mushroom



HL800MTN1P120V/COV

AVAILABLE LEGENDS:

- EMERGENCY POWER OFF (STANDARD)
- HVAC SHUT-DOWN
- EMERGENCY SHUT-OFF
- EMERGENCY SHUT-DOWN
- BOILER SHUT-DOWN
- EMERGENCY GAS SHUT-OFF
- EMERGENCY STOP
- VENTILATION START
- VENTILATION STOP
- CHILLER STOP

- Cl. I, Div. 1&2, Groups B ,C, D Explosionproof
- Cl. II, Div. 1, Groups E, F, G Dust-ignitionproof
- Cl. II, Div 2, Groups F, G Raintight
- Cl. III Wet Location

FACTORY SEALING

Factory sealed push and selector switch control stations do not need external sealing. Device contacts are factory sealed in explosionproof contact blocks , Enclosures have finally ground wide flanges on both the body and cover for a flame